



BEBLECHUNG  
COVER PLATES

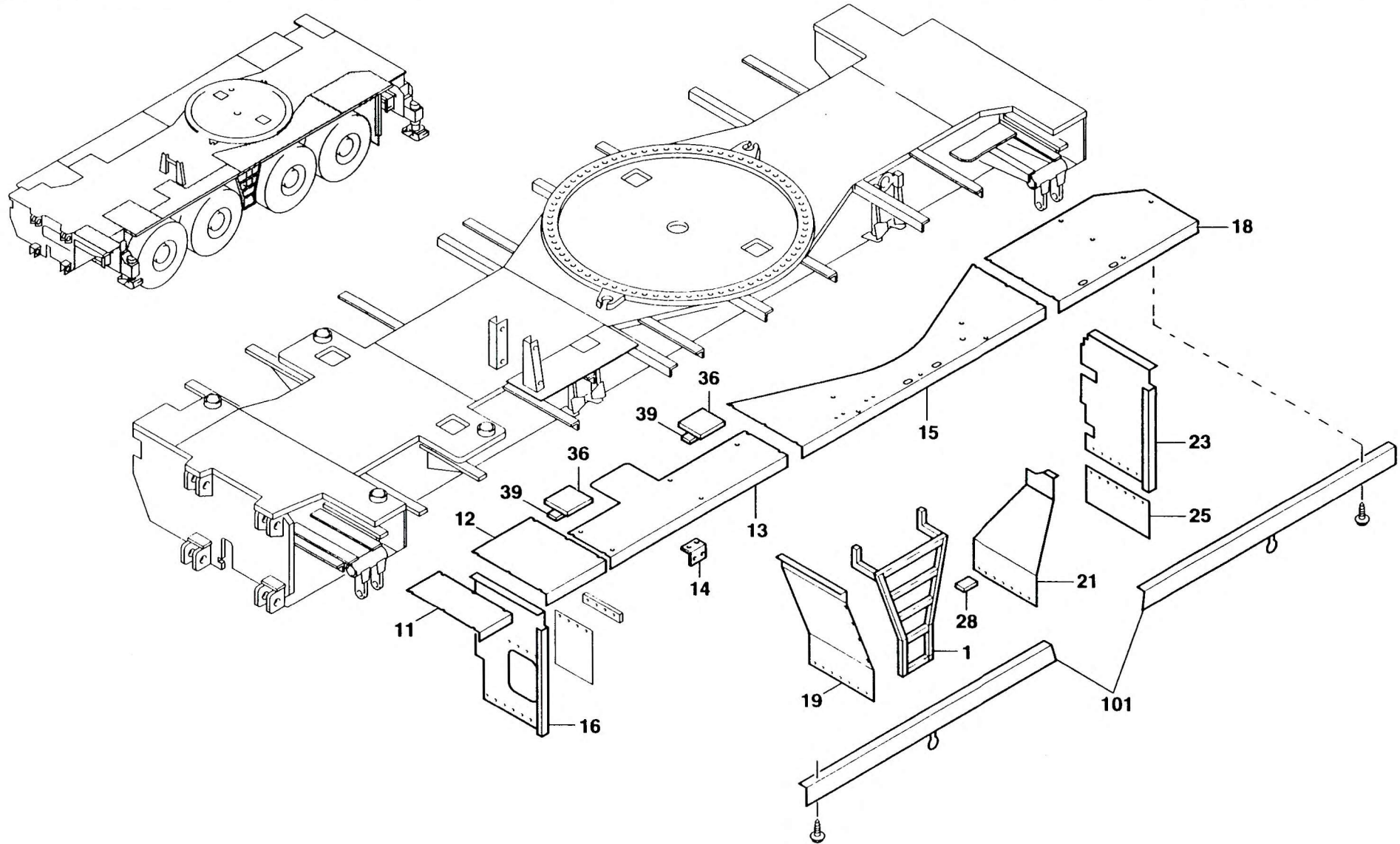
BILDТАFЕL  
PICTORIAL DISPLAY

04.94

**2222739-ETL H**

1/2

**GMK 6180**  
**BE 540**  
**G 034**



POS. POS.	TEILE-NR. PART-NO.	MENGE QUANTITY	BENENNUNG	DESIGNATION
001	2082881	1.0	AUFSTIEG	STEP(S)
011	2217862	1.0	ALUMINIUMBLECH	ALUMINIUM PLATE
012	2216368	1.0	ALUMINIUMBLECH	ALUMINIUM PLATE
013	2216369	1.0	ALUMINIUMBLECH	ALUMINIUM PLATE
014	2215284	2.0	HALTER	MOUNTING PIECE
015	2216370	1.0	ALUMINIUMBLECH	ALUMINIUM PLATE
016	2252048	1.0	ALUMINIUMBLECH	ALUMINIUM PLATE
018	2216371	1.0	ALUMINIUMBLECH	ALUMINIUM PLATE
019	2216372	1.0	ALUMINIUMBLECH	ALUMINIUM PLATE
021	2216374	1.0	ALUMINIUMBLECH	ALUMINIUM PLATE
023	2216376	1.0	ALUMINIUMBLECH	ALUMINIUM PLATE
025	2254835	2.0	SCHMUTZFAENGER	MUD FLAP
028	1738448	1.0	HALTERUNG LINKS	MOUNTING PIECE, LEFT
036	2216381	2.0	DECKEL	COVER
039	2216382	2.0	RIEGEL	LOCK
101	2227267	1.0	SPRITZSCHUTZ	SPLASH GUARD

	BEBLECHUNG COVER PLATES	ERSATZTEILLISTE LIST OF SPARE PARTS		GMK 6180 BE 540 G 034
		04.94	2222739-ETL H	



BEBLECHUNG  
COVER PLATES

BILDTAFEL  
PICTORIAL DISPLAY

GMK 6180  
BE 540  
G 034

04.94

2222739-ETL H

2/2

